



Gooding

& ASSOCIATES, INC.

PO Box 1690
15 Dinah Rock Road
Shelter Island, N.Y. 11964
Tel. (631) 749-3313 • Fax (631) 749-3356
www.goodingassociates.com

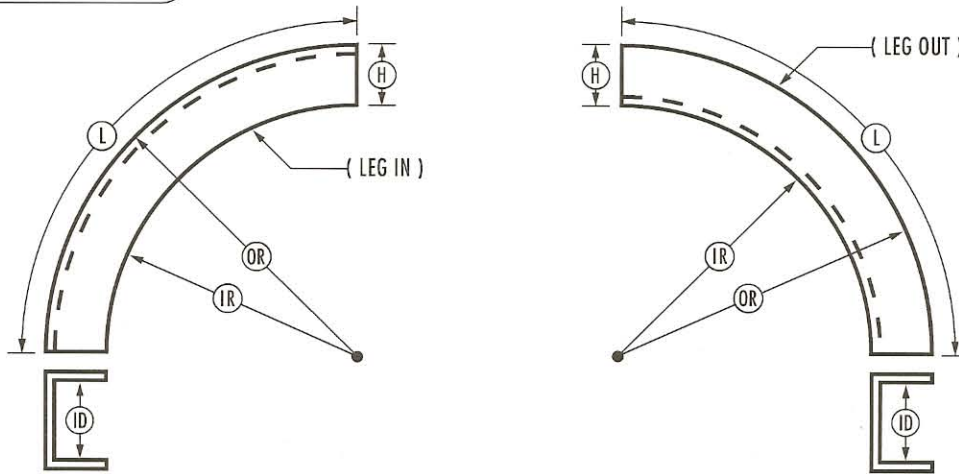
COMPANY NAME		JOB NAME	
PHONE	FAX	CONTACT NAME	
CUSTOMER PO		SPECIAL TAG	
DATE ORDERED		DATE REQUIRED	
		<input type="radio"/> DELIVERY <input type="radio"/> WILL CALL	

ARCHED TRACK

SHOP OFFICE USE ONLY

JOB NO	COST CODE
—	—

PAGE OF



LEG		QTY	GAGE	LENGTH	ID	HEIGHT	INSIDE RADIUS	OUTSIDE RADIUS
IN	OUT							
<input type="radio"/>	<input type="radio"/>							
<input type="radio"/>	<input type="radio"/>							
<input type="radio"/>	<input type="radio"/>							
<input type="radio"/>	<input type="radio"/>							
<input type="radio"/>	<input type="radio"/>							
<input type="radio"/>	<input type="radio"/>							
<input type="radio"/>	<input type="radio"/>							
<input type="radio"/>	<input type="radio"/>							

SHOP OFFICE USE ONLY

<input type="radio"/> HVAC SHOP <input type="radio"/> WELDING SHOP <input type="radio"/> SHIPPING DEPARTMENT	QUALITY CONTROL	W.S.# _____
	CHECKED BY _____	DATE _____
	SHIPPING AREA _____	SIGNED _____