

From: _____ Date: _____
 Contact: _____ Project Name: _____
 Address: _____ City: _____
 _____ Ship To: _____
 Phone: _____
 Fax: _____

 _____ Contact: _____
 _____ Phone: _____
 PO#: _____ Authorized By: _____

- Order will not be processed without an authorization signature and PO#.
- Please fill out order form completely to avoid delays in processing.

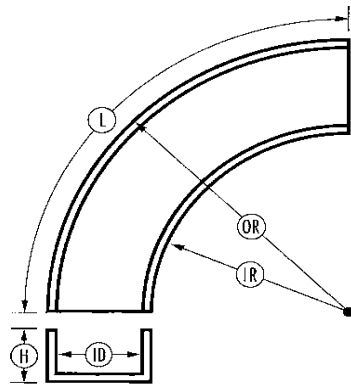
Instructions:

Please fill in details for radius, using diagram below.

Standard layout length is 10 ft. Custom lengths are available upon request.

The charge is \$25.00 per template. Templates are shipped pre-paid Priority mail (3-5 days)

This form will be returned to you for confirmation before the template will be prepared.



OR - Outside Radius
 IR - Inside Radius
 ID - Width
 H - Leg Height

Product				Radius Information			
Width	Item	Hgt	Gauge	(Check one)		Radius in Feet & Inches	
ID		H		OR	IR		

E-mail, Fax or Mail this form to Gooding & Associates

Call us Toll-Free 1-888-749-3313

PO Box 1690, Shelter Island, NY 11964

Tel: 631-749-3313, Fax: 631-749-3356, E-mail: gordon@goodingassociates.com