

# Product Detail

## Quick Curve Plate

### 2 x 4 Treated

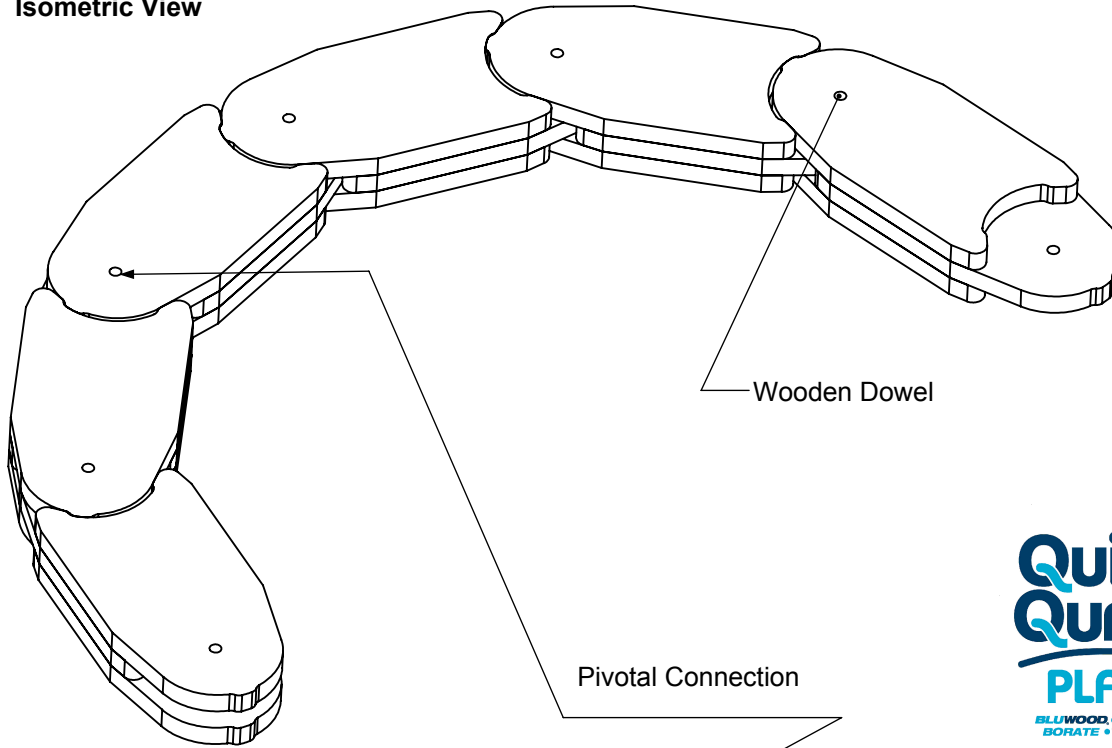
#### Product Information

**Quick Curve Plate** is made from OSB (Oriented Strand Board), an engineered wood product made with water proof adhesives. Product is infused with BLUWOOD and Borate treatments.

**BLUWOOD®**



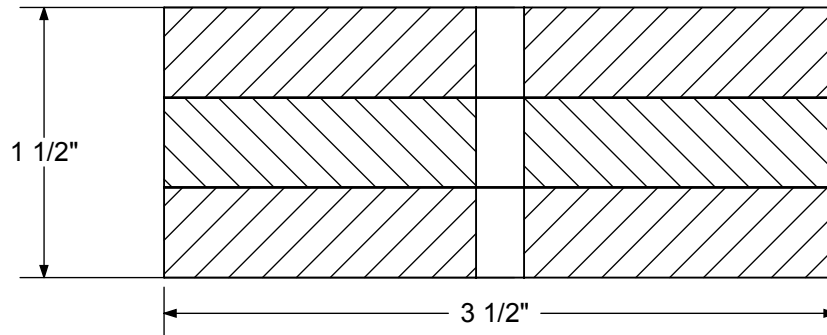
Isometric View



Wooden Dowel

Pivotal Connection

Sectional View



1 1/2"

3 1/2"

**FLEX-ABILITY  
CONCEPTS**

Distributor:  
Contractor:  
Project:  
Product Detail: PDW2

Quantity:  
Approved By:  
Architect:  
Date:

5500 SW 36th Street  
Oklahoma City, OK 73179  
Tel: 405-996-5343 Fax: 405-996-5353  
E-mail: [info@flexabilityconcepts.com](mailto:info@flexabilityconcepts.com)  
Web: [www.flexabilityconcepts.com](http://www.flexabilityconcepts.com)