

Product Detail

Quick Curve Plate

2 x 6 Treated

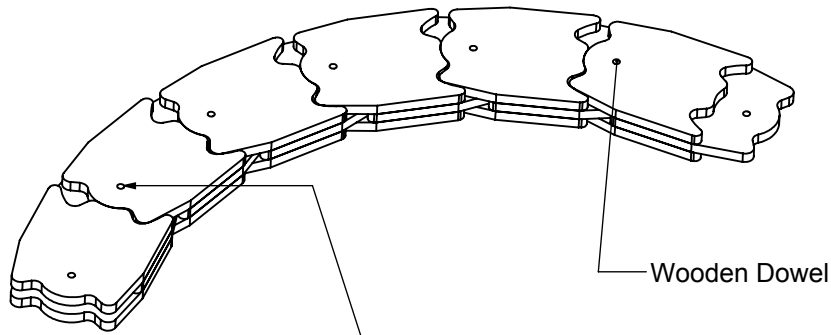
Product Information

Quick Curve Plate is made from OSB (Oriented Strand Board), an engineered wood product made with water proof adhesives. Product is infused with BLUWOOD and Borate treatments.

BLUWOOD®

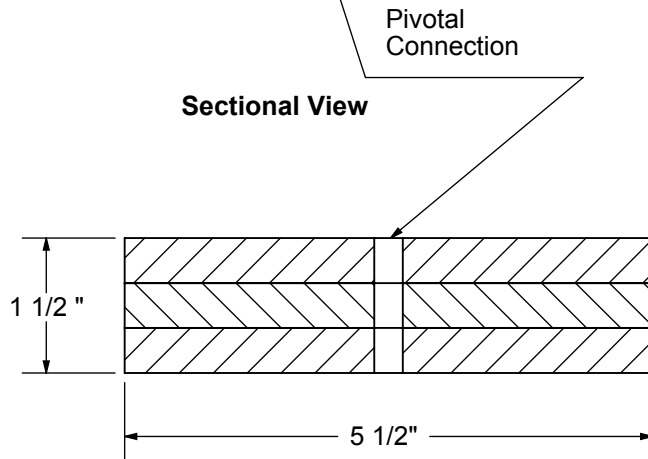


Isometric View



Wooden Dowel

Sectional View



Pivotal Connection

**FLEX-ABILITY
CONCEPTS**

Distributor:
Contractor:
Project:
Product Detail: PDW4

Quantity:
Approved By:
Architect:
Date:

5500 SW 36th Street
Oklahoma City, OK 73179
Tel: 405-996-5343 Fax: 405-996-5353
E-mail: info@flexabilityconcepts.com
Web: www.flexabilityconcepts.com