

Product Detail

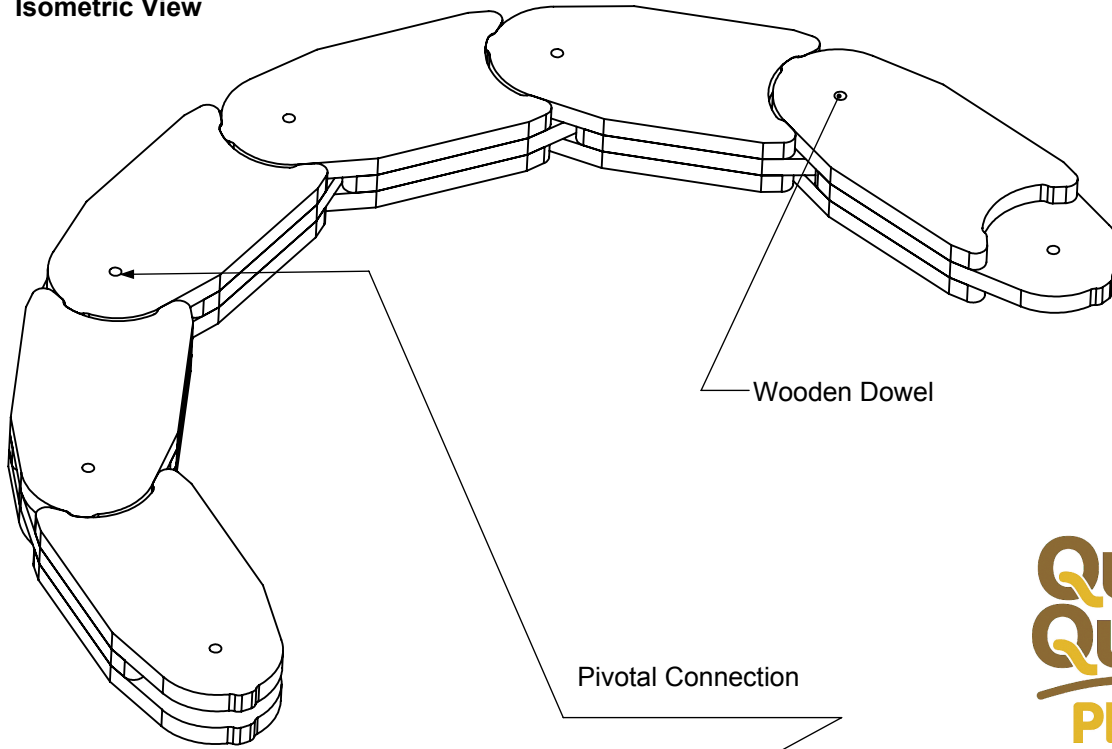
Quick Curve Plate

2 x 4 Untreated

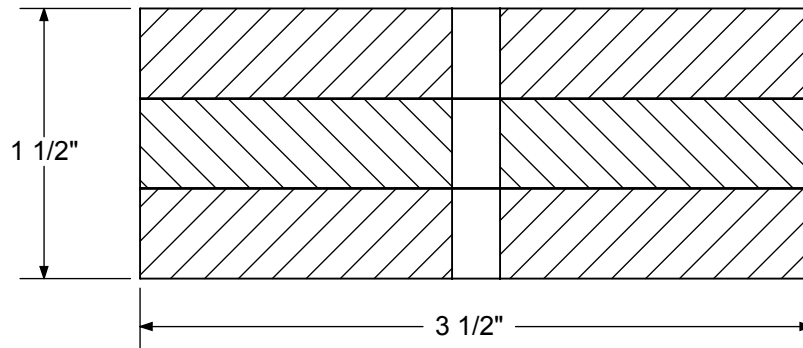
Product Information

Quick Curve Plate is made from OSB (Oriented Strand Board), an engineered wood product made with water proof adhesives.

Isometric View



Sectional View



**FLEX-ABILITY
CONCEPTS**

Distributor:
Contractor:
Project:
Product Detail: PDW1

Quantity:
Approved By:
Architect:
Date:

5500 SW 36th Street
Oklahoma City, OK 73179
Tel: 405-996-5343 Fax: 405-996-5353
E-mail: info@flexabilityconcepts.com
Web: www.flexabilityconcepts.com