

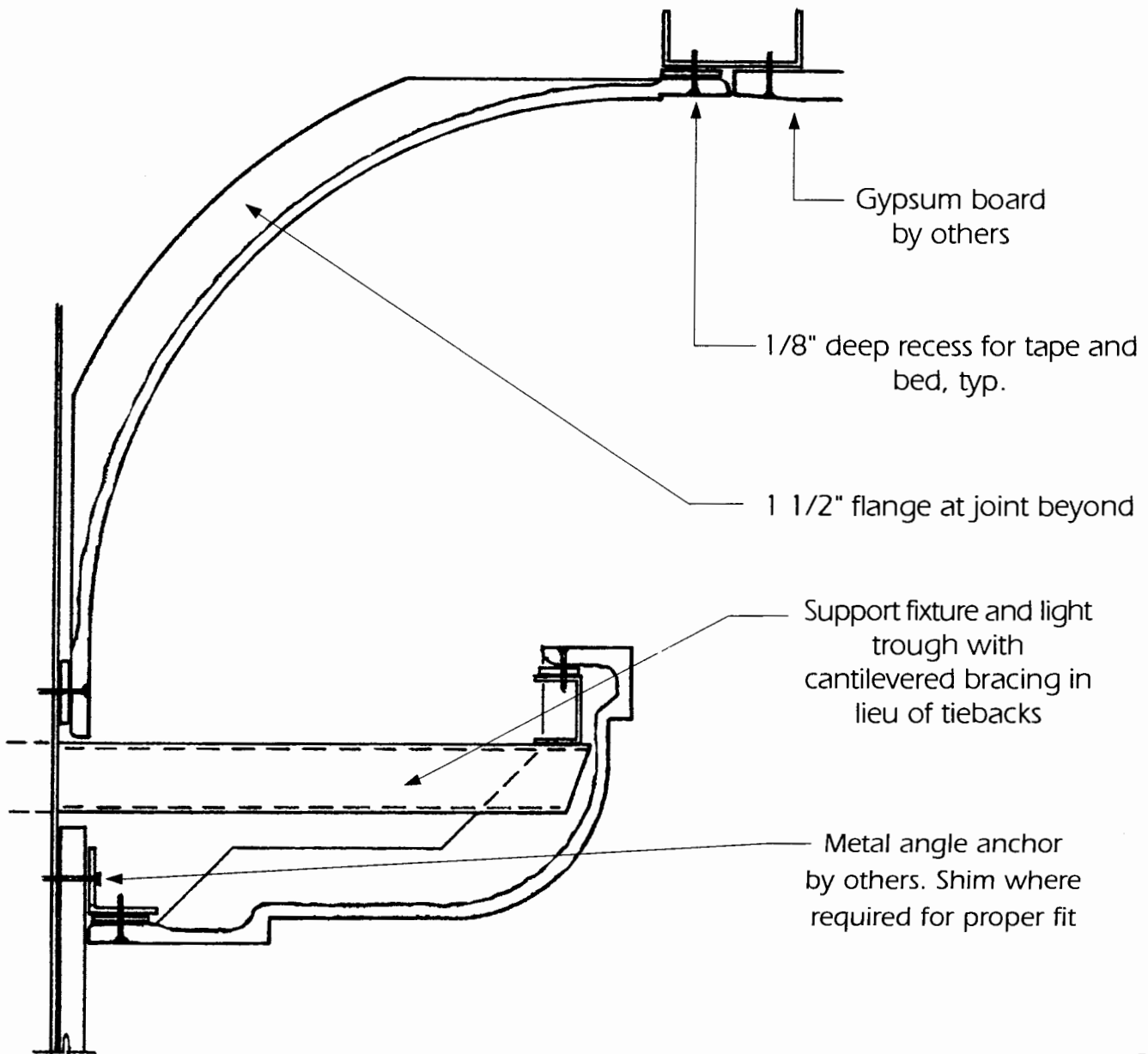
## TYPICAL LIGHT COVE / REFLECTOR COVE

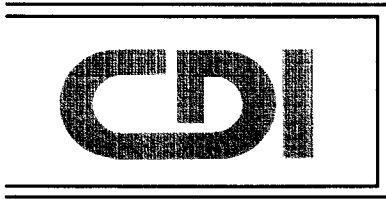
Lengths are usually 8' 0"

Tape and bed recesses between parts

Options for one-piece corners

Custom designed shapes and sizes

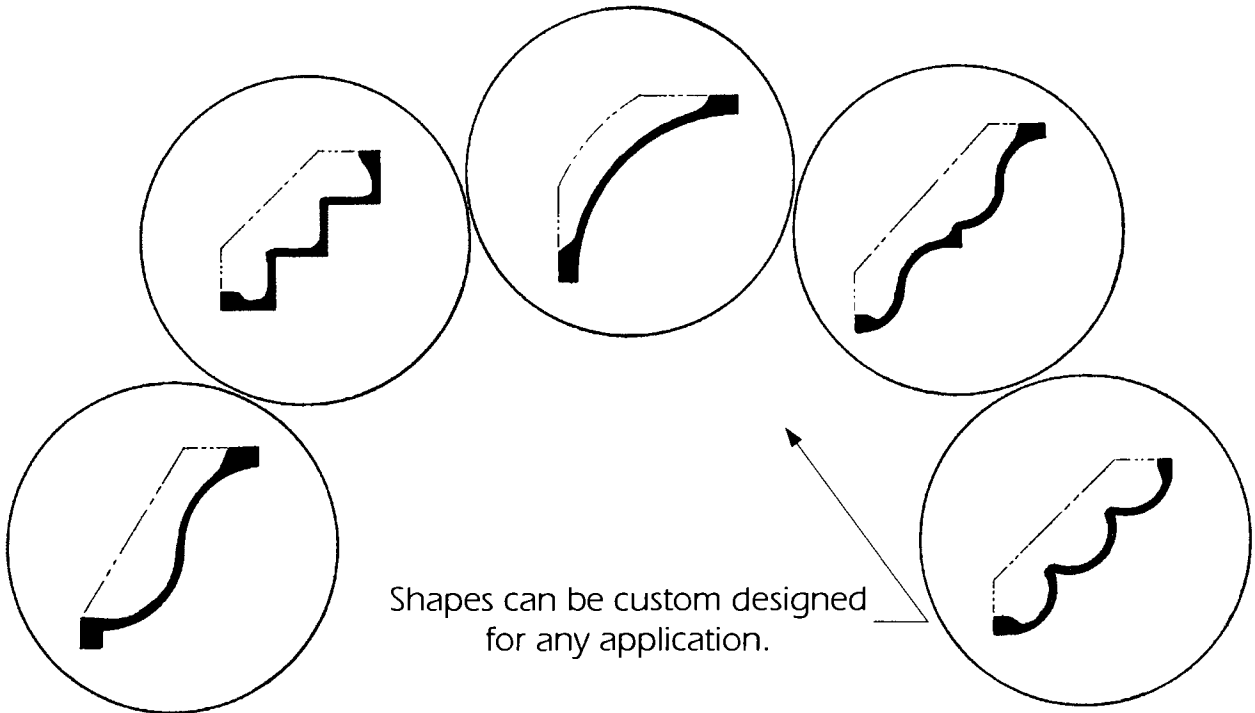




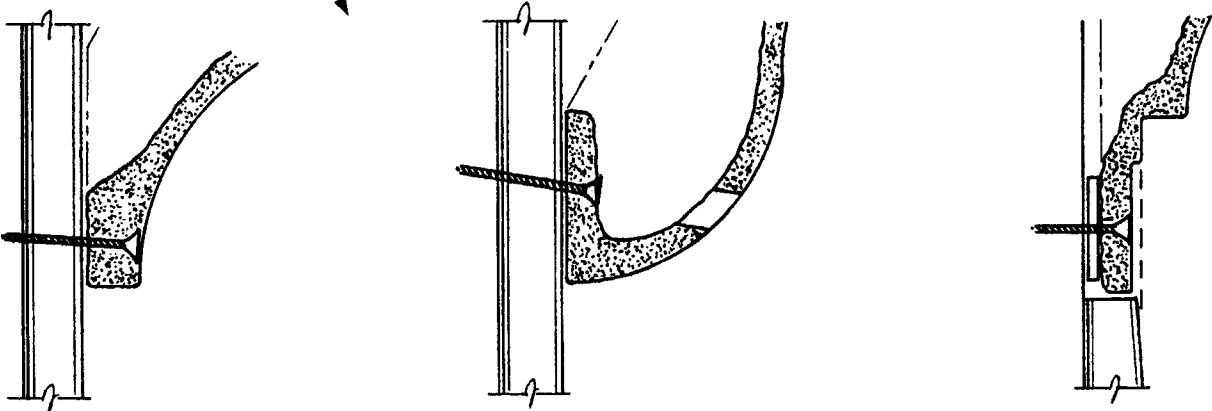
# CASTING DESIGNS, INC.

GLASS FIBER REINFORCED GYPSUM AND CEMENT

## CORNICES AND MOLDINGS



Connections may vary depending upon installation requirements.

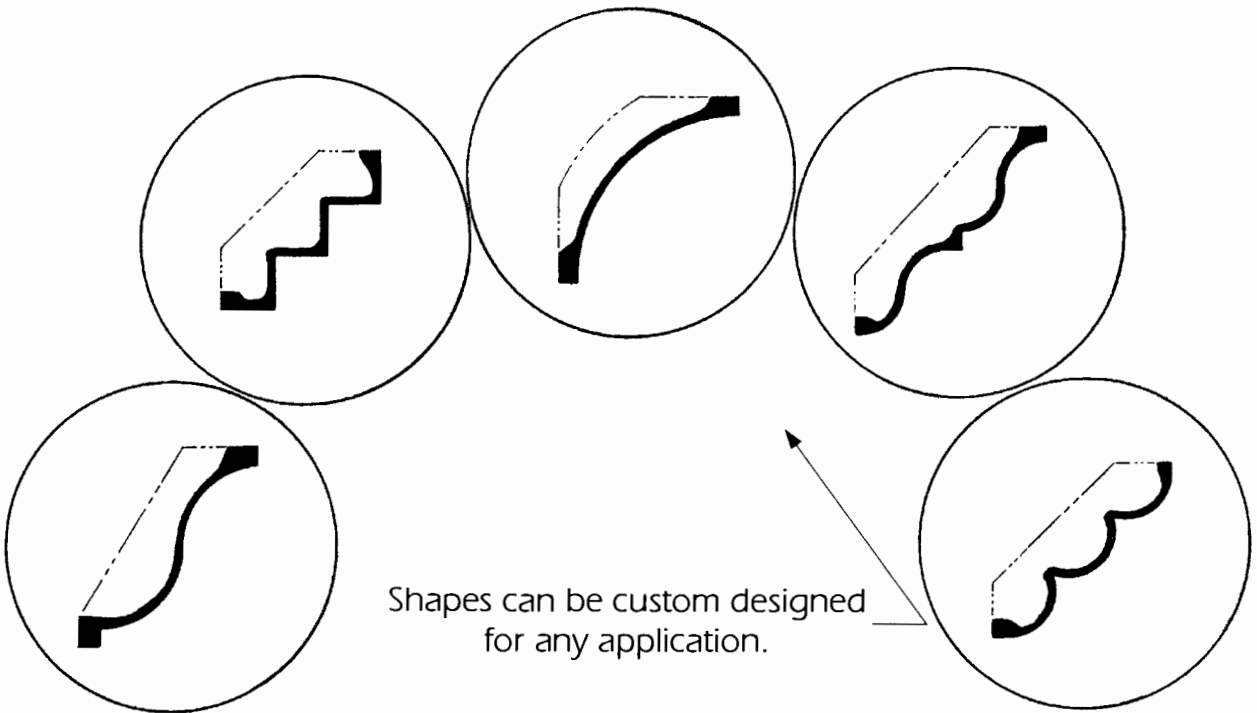




# CASTING DESIGNS, INC.

GLASS FIBER REINFORCED GYPSUM AND CEMENT

## CORNICES AND MOLDINGS



Shapes can be custom designed for any application.

Connections may vary depending upon installation requirements.

